

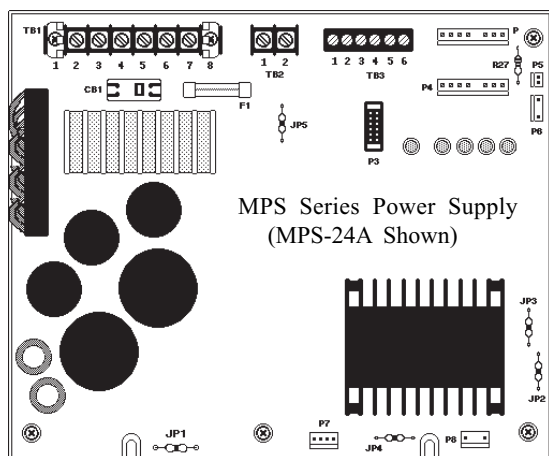
## MPS-TR Installation

The MPS-TR Power supply monitor mounts on any of the MPS series power supplies. This add-on board mounts the right side of the MPS series supply and it is fastened through the use of two extended length standoffs, making use of threads on the existing standoffs.

The MPS-TR monitor will provide supervision for remote power supplies. The board is mounted and secured as described above. P1 on the MPS-TR is connected to P3 on the power supply via a power ribbon (part number 71085) which is supplied with this board. The common (C) and normally closed (NC) contacts of the Form C relay, are connected to normally closed TROUBLE INPUT on the ACM-16AT, ACM-32A or MMX-1 module.

### Installation:

1. Remove the upper and lower screws on the right side of the power supply main board.
2. The MPS-TR will mount on these two holes. Locate the new longer screws and the standoff sleeves. Place the screws through the MPS-TR board and through the standoff sleeves. Thread these into the holes which were occupied by the two screws which were removed in Step 1.
3. Install the nylon standoff into the appropriate hole in the middle of the MPS-TR board. The location of which hole is used will be dictated by the type of power supply used. The correct hole is labeled on the MPS-TR board. After choosing the correct hole, install the screw into the standoff. Note that the threaded end of the nylon standoff does not thread into anything. It is simply used to keep the MPS-TR board from coming into contact with any system components. It will actually "stand" on the main power supply board. A nylon (non-conductive) standoff was chosen due to the fact that the standoff actually touches the PC board.



Remove the two screws shown by dotted lines. Thread screws through the MPS-TR board, through standoffs and secure to the power supply board.

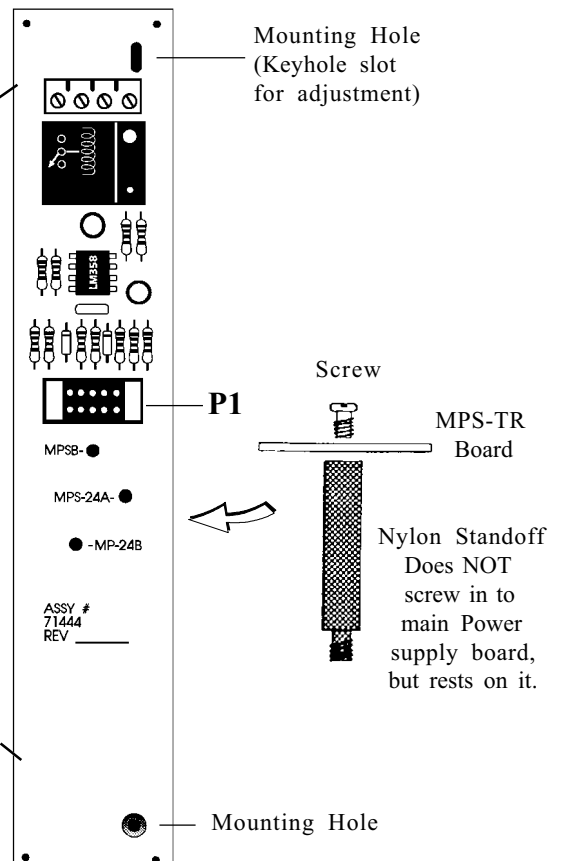
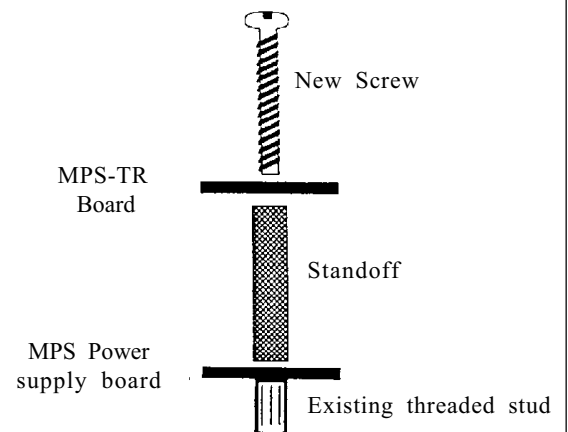
# MPS-TR

## Product Installation Drawing

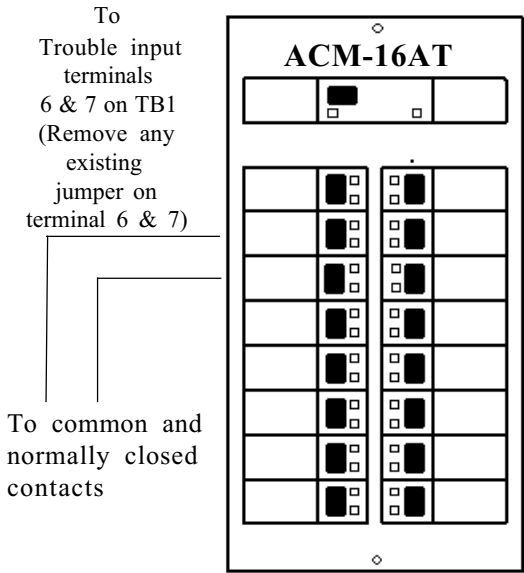
Document Number: 15331 Rev: B

Print Date: 7/22/93

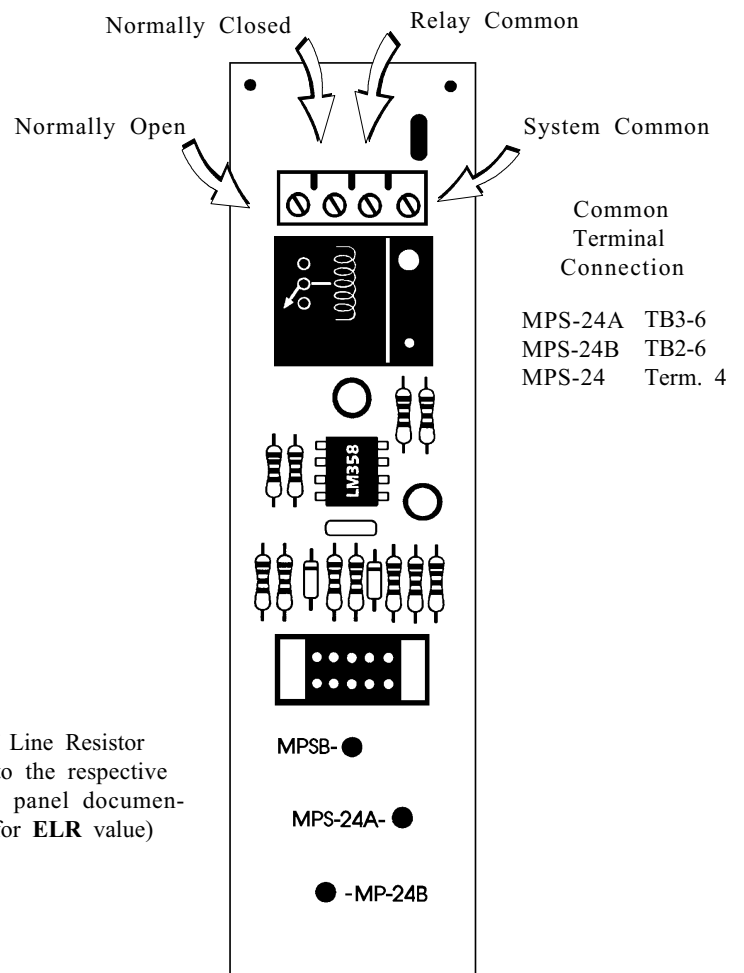
*Note:* Locate power supply with MPS-TR and trouble transmitting device (ACM-16AT, ACM-32A, MMX-1) in the same room.



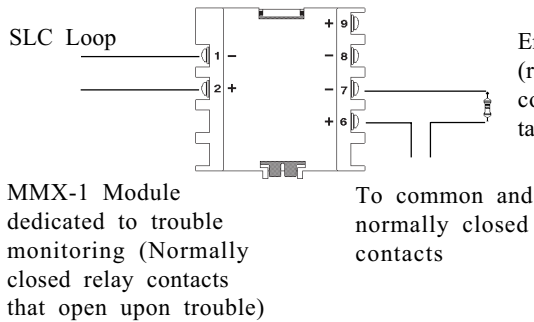
**Application for:  
S500, S5000, AM2020,  
AFP1010, XP Transponder**



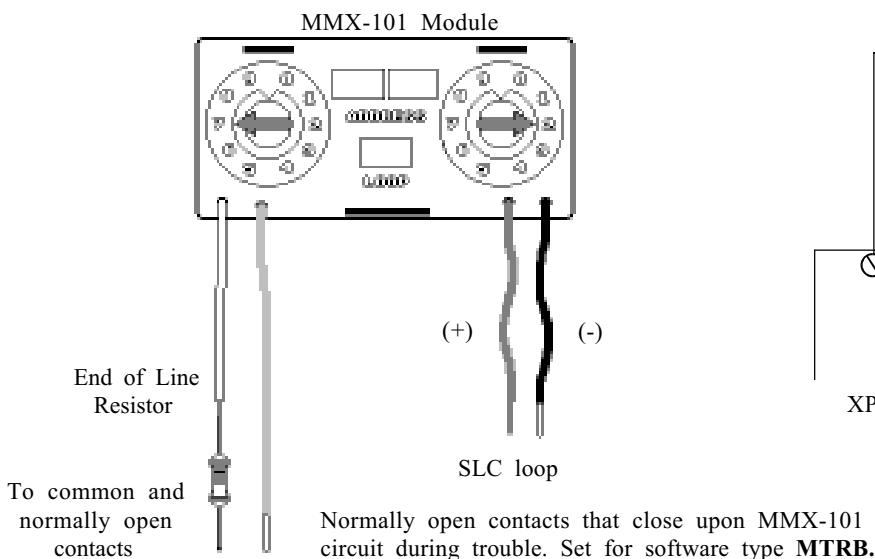
Note: Relay contacts are specified in the **NORMAL** (no trouble condition) state.



**Application for:  
S5000, AM2020, AFP1010**



**Application for:  
AM2020, AFP1010**



**Application for:  
XP Transponder**

